

Door Entry Direct

ES8000 V-Lock

General Description

The ES8000, also known as the V-lock is a high torque motorised bolt that moves from the vertical position to the horizontal state when locked. The bolt moves into the V shaped strike plate pulling the door aligned with the lock. The high torque motorised bolt can be concealed from view or surface mounted and has the worlds first fail-open motor locking mechanism which eliminates the need and cost of an additional key override function. Slim design with classic satin stainless steel faceplate, and significant 7mm overall (+/- 3.5mm) door misalignment tolerance make ES8000 a product with great aesthetic appearance as well as easy installation.

Key Features

- SIDELOAD - PRELOAD Capable Lock will unlock with up to 15kg of side pressure, when wired in 3 wire mode. (1 x Permanent Power, (positive 12-24Vdc) wire. Negative (0 volt return) wire, and 1 x Switching input (positive 12-24Vdc) wire
- Door misalignment of up to 3.5mm +/-
- Power to Lock (Fail Safe) / Power to Open (Fail Secure) field configurable
- HIGH TORQUE Motorised locking and unlocking (3 wire mode)
- High Speed Operation. Unlocks in less than 1 second
- Surface Mount Accessory Kit. Ideal for 180° swing through glass door applications
- Multiple Orientation – Interior Doors Can be mounted vertically or horizontally (For exterior doors ES8000 must be mounted horizontally)

Applications

- Misaligned doors
- Timer Doors
- Glass Doors



Standards and Compliance

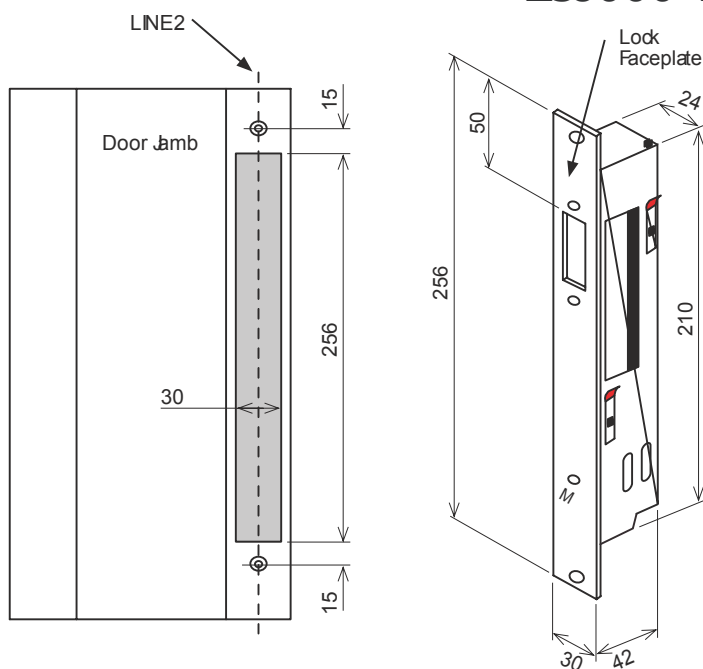
SCEC Endorsæd (Intruder Resistant Bracket Required)



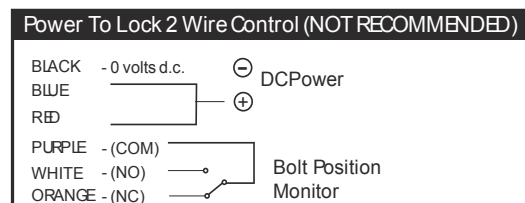
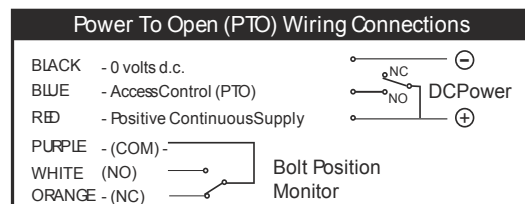
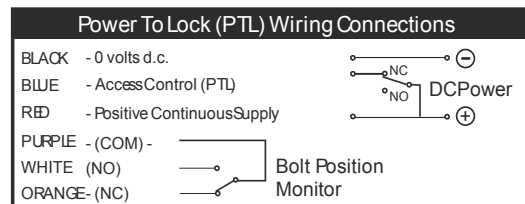
Successfully fire rated up to 4hrs on fire door assemblies in accordance with AS1905.1.2005 (Part 1: Fire resistant door sets)

Door Entry Direct

ES8000 V-Lock



Wiring below shows lock in locked position



ES8000 V-Lock Technical Information

Voltage	12 to 24Vdc, Voltage Tolerance 12V (+15%- 0%) 24V(+/- 15%)
Current	Minimum 1 Amp Regulated Supply
Monitoring	COM, NO, NC Voltage free changeover contacts rated at 48 dc/100mA
Security	Passed S3 (AS4145.2- 1993)
Strength	Maximum 1000kg (with supported strike plate)
Side Load	Side Load rated: Motorised Unlocking –15kg max at bolt Fail Safe Unlocking –3kg max at bolt
Endurance	300,000 operations
Environment	Operational temperature range -20°C to + 60°C
Lock Body	Stainless Steel Lock Body and Faceplate
Bolt	11mm diameter, 20.5mm projection

Specification Statement

The lock must be a high torque motorised bolt with Preload tolerance. The strike plate must be shaped in a V format to accommodate for misaligned doors. Lock will unlock with up to 15kg of side pressure and will be powered with 12-24v and draw no more than 1000mA. The lock must be configurable for Power to Lock (Fail Safe) or Power to Open (Fail Secure). The lock must be triggered with a magnet positioned in strike plate, and be monitored for locked unlocked and door position.

Ordering Information

Product Description	Part Number
ES8001 V-Lock 12vdc Fail Safe 30mm F/P	118001-010
ES8002 V-Lock 12vdc Fail Secure 30mm F/P	118002-010
Accessories	
ES8000 V-Lock Glass door housing (Incl dressplate & fixing tape)	218000-000